

4

3

2

1

F

F

E

E

D

D

C

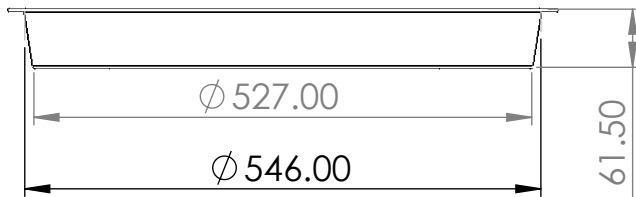
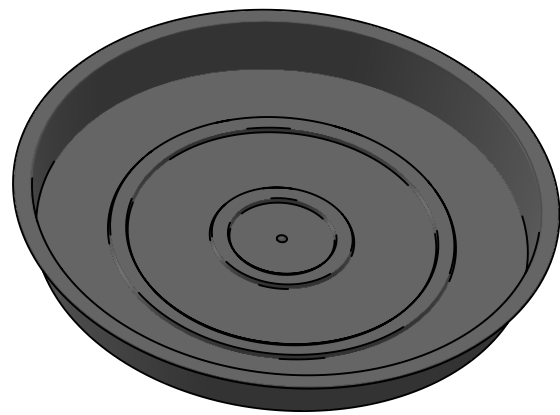
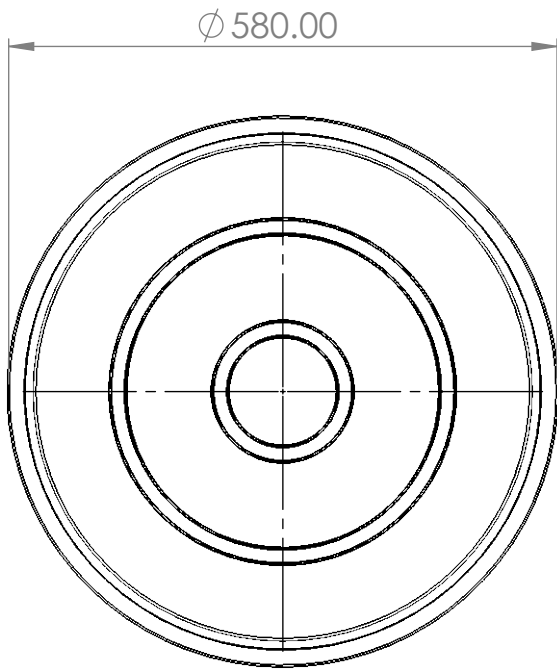
C

B

B

A

A



UNLESS OTHERWISE SPECIFIED:
DIMENSIONS ARE IN MILLIMETERS

SURFACE FINISH:

TOLERANCES:

LINEAR:

ANGULAR:

DEBURR AND
BREAK SHARP
EDGES

DO NOT SCALE DRAWING

REVISION

TITLE:

58CM SAUCER

	NAME	SIGNATURE	DATE
DRAWN			
CHK'D			
APPV'D			

FINISH:

MATERIAL:
PP

CUSTOMER:

A4

WEIGHT: 787 grams

SCALE:1:10

SHEET 1 OF 1

4

3

2

1