

4

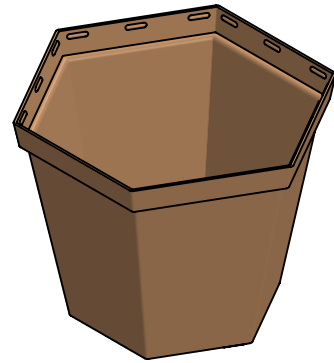
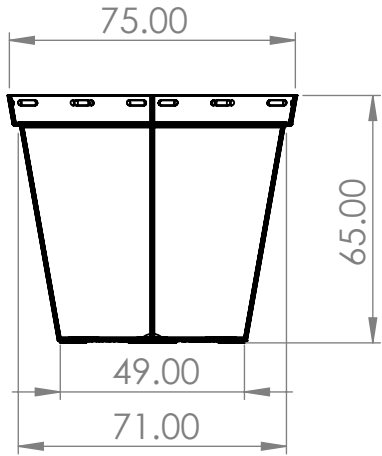
3

2

1

F

F

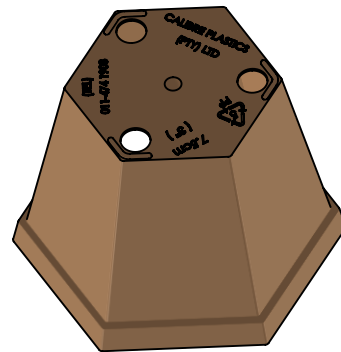
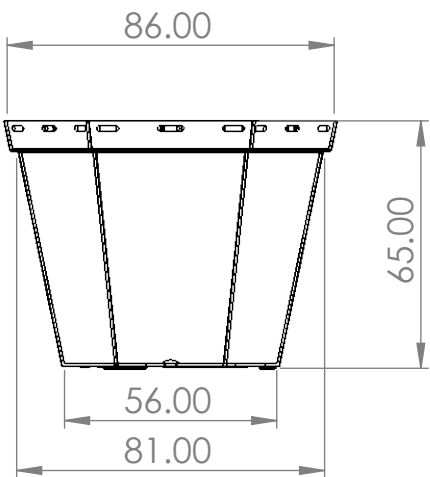


E

E

D

D



C

C

Volume: 180ml

B

B

UNLESS OTHERWISE SPECIFIED: DIMENSIONS ARE IN MILLIMETERS			DEBURR AND BREAK SHARP EDGES	DO NOT SCALE DRAWING		REVISION		
SURFACE FINISH:				TITLE: 7.5cm Nu-Bee Hex Polt				
TOLERANCES:								
LINEAR:								
ANGULAR:			CUSTOMER:			A4		
	NAME	SIGNATURE	DATE	MATERIAL: PP			SCALE:1:2	SHEET 1 OF 1
DRAWN								
CHK'D								
APPV'D				WEIGHT: 11.5 grams				
FINISH:								

A

A

4

3

2

1

4

3

2

1

F

F

E

E

D

D

C

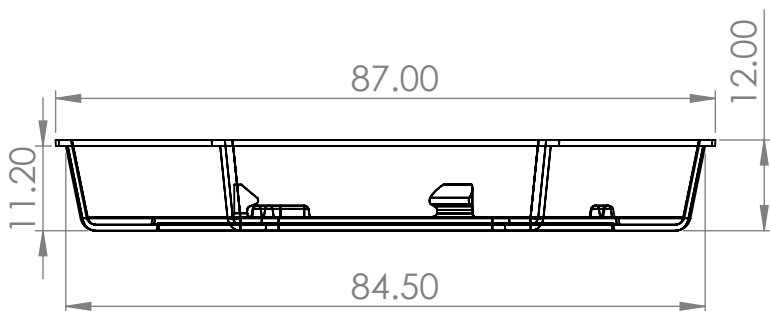
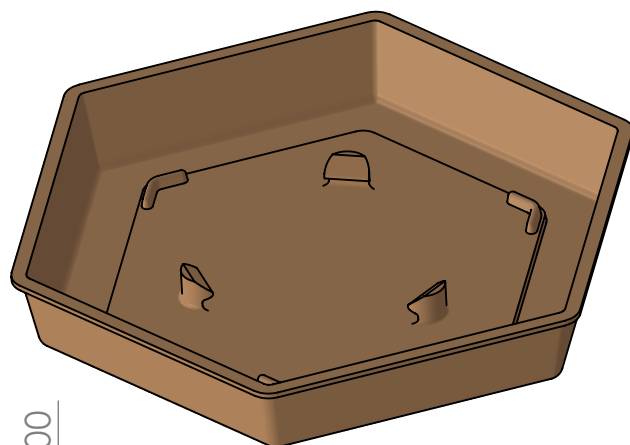
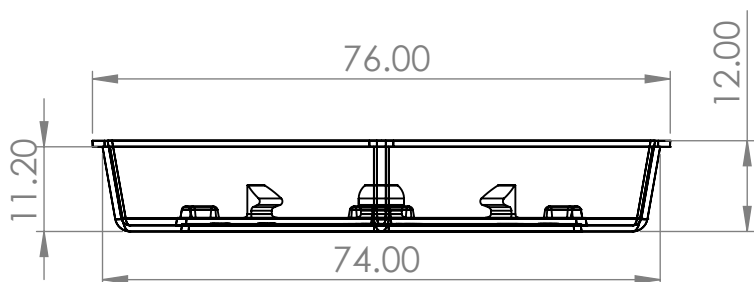
C

B

B

A

A



UNLESS OTHERWISE SPECIFIED:
 DIMENSIONS ARE IN MILLIMETERS
 SURFACE FINISH:
 TOLERANCES:
 LINEAR:
 ANGULAR:

DEBURR AND
 BREAK SHARP
 EDGES

DO NOT SCALE DRAWING

REVISION

TITLE:
**7.5cm
 Nu- Bee
 Saucer**

	NAME	SIGNATURE	DATE
DRAWN			
CHK'D			
APPV'D			

FINISH:
 MATERIAL:
PP

CUSTOMER:
 A4

WEIGHT: **5.4 grams**

SCALE:1:1

SHEET 1 OF 1

4

3

2

1

4

3

2

1

F

F

E

E

D

D

C

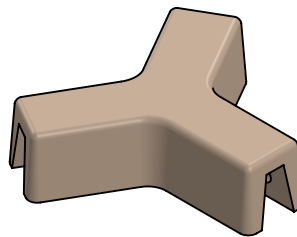
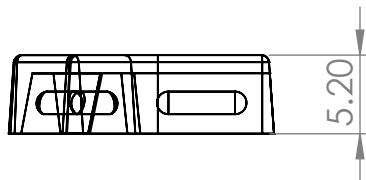
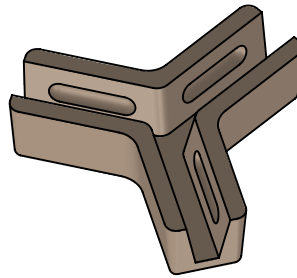
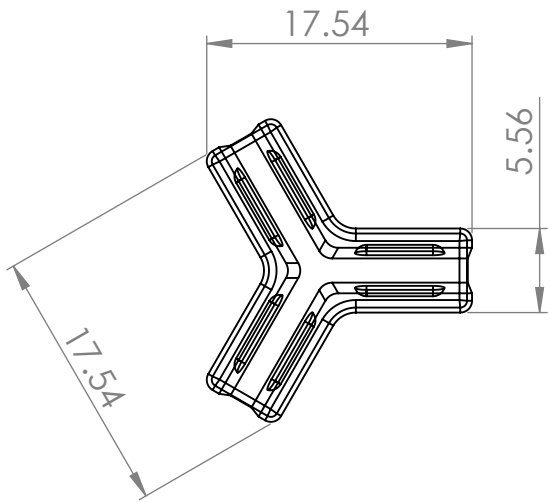
C

B

B

A

A



UNLESS OTHERWISE SPECIFIED:
 DIMENSIONS ARE IN MILLIMETERS
 SURFACE FINISH:
 TOLERANCES:
 LINEAR:
 ANGULAR:

DEBURR AND
 BREAK SHARP
 EDGES

DO NOT SCALE DRAWING

REVISION

TITLE:

**HEX POT
 CONNECTION
 CLIPS**

	NAME	SIGNATURE	DATE
DRAWN			
CHK'D			
APPV'D			

FINISH:
 MATERIAL:
 PP

CUSTOMER:

A4

WEIGHT: 0.5 grams

SCALE:2:1

SHEET 1 OF 1

4

3

2

1