

4

3

2

1

F

F

E

E

D

D

C

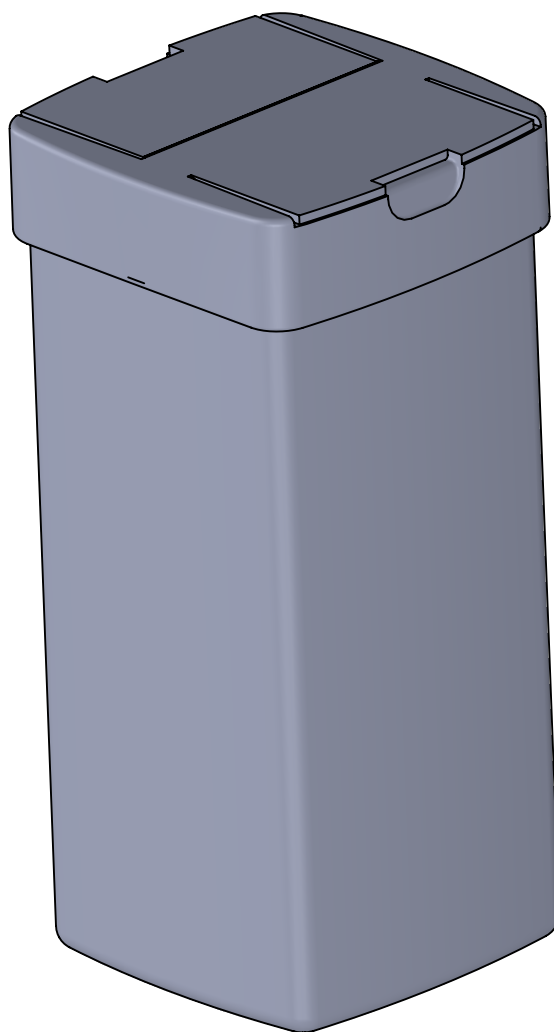
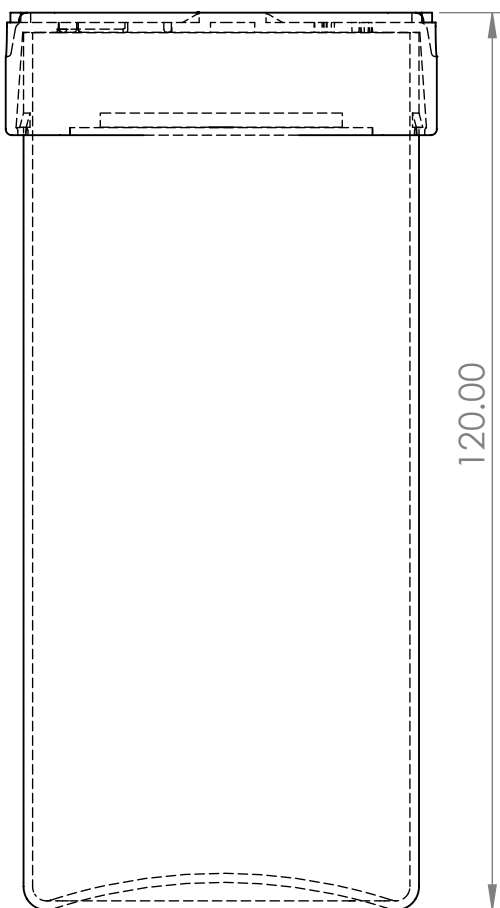
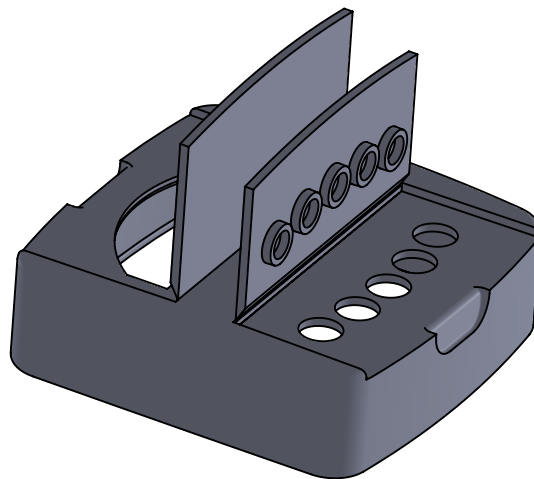
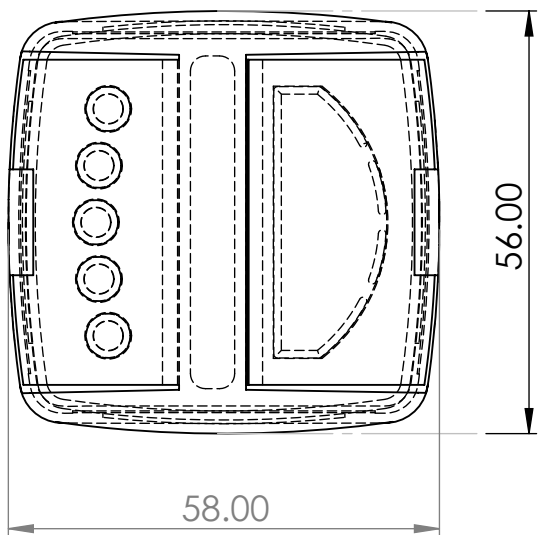
C

B

B

A

A



**CALIBRE
PLASTICS**

DATE	
DRAWN BY	
CHK'D BY	
APPV'D BY	
COMPLETE	
SIGNED	
T: +27 11 474 1908	
W: https://calibreplastics.co.za	

DO NOT SCALE DRAWING

REVISION

TITLE:

SPICE SHAKER

MATERIAL:

WEIGHT:

CUSTOMER:

CALIBRE PLASTICS

A4

SCALE:1:2

SHEET 1 OF 1

4

3

2

1