

4

3

2

1

F

F

E

E

D

D

C

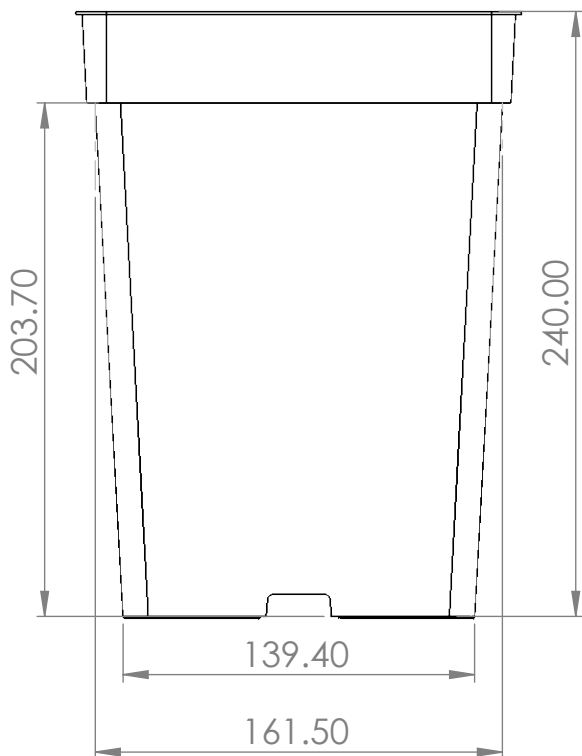
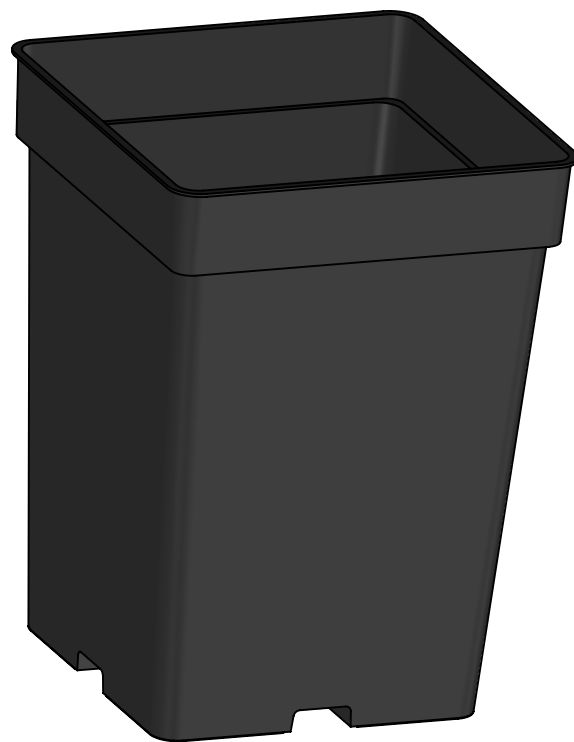
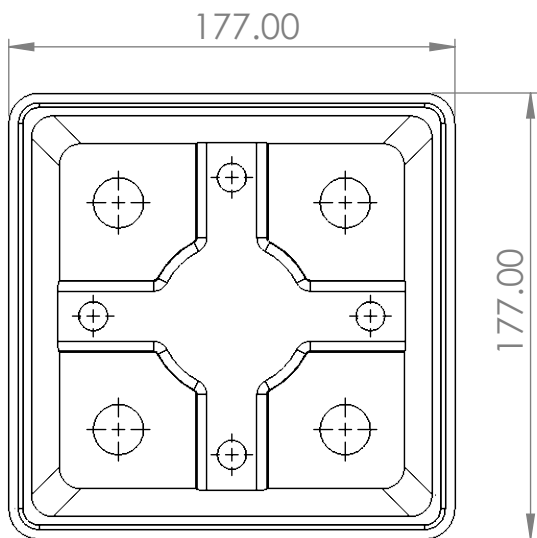
C

B

B

A

A



VOLUME: 4L

UNLESS OTHERWISE SPECIFIED:
 DIMENSIONS ARE IN MILLIMETERS
 SURFACE FINISH:
 TOLERANCES:
 LINEAR:
 ANGULAR:

DEBURR AND
BREAK SHARP
EDGES

DO NOT SCALE DRAWING

REVISION

TITLE:
**17.5CM X 24CM
 SQUARE POT
 EXTRA LENGTH**

	NAME	SIGNATURE	DATE
DRAWN			
CHK'D			
APPV'D			

FINISH:
 MATERIAL:
PP

CUSTOMER:
 A4

WEIGHT: 191.5 grams

SCALE:1:5

SHEET 1 OF 1

4

3

2

1